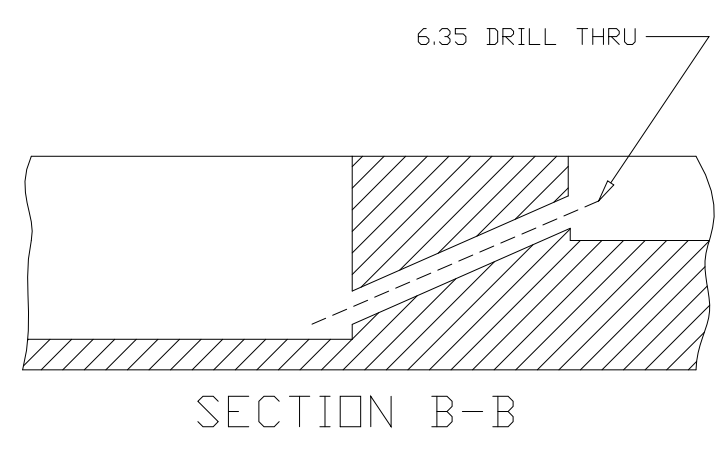
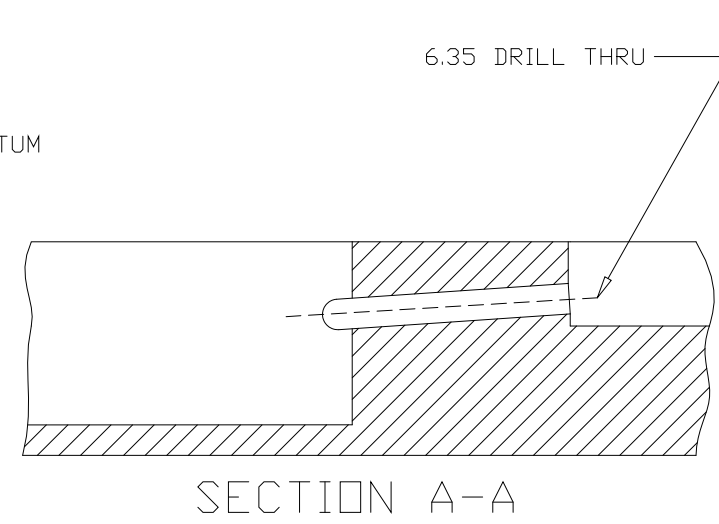
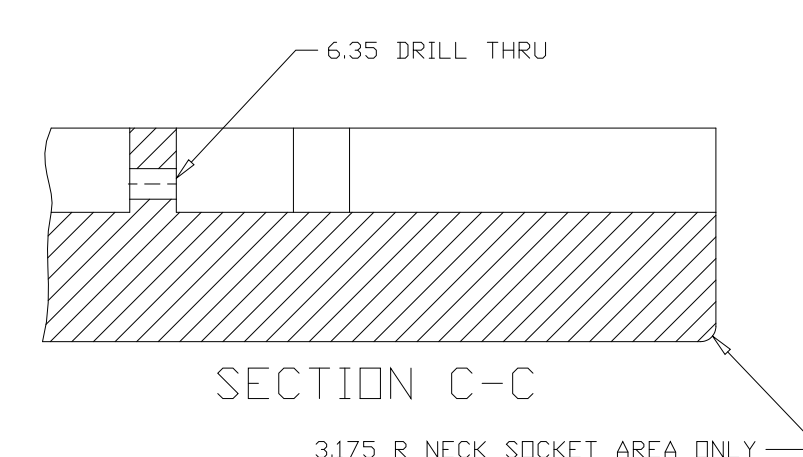
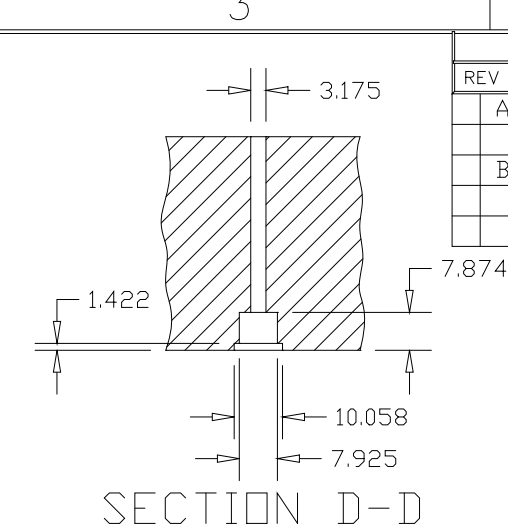
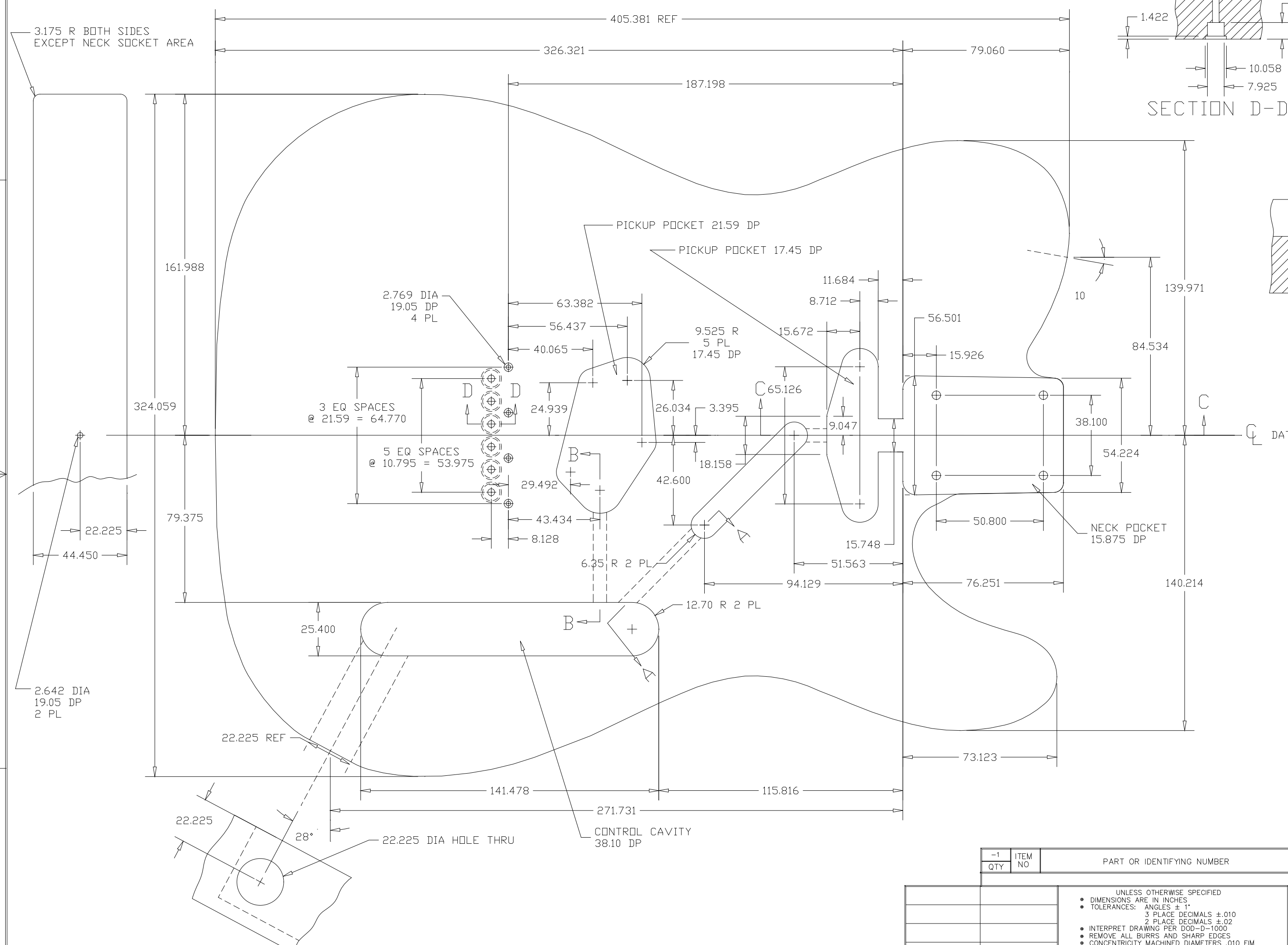


NOTES: UNLESS OTHERWISE SPECIFIED:  
 1. ALL DIMENSIONS ACROSS CENTERLINE ARE SYMMETRICAL TO CENTERLINE  
 2. LEFT-HAND BODY IS DIRECT OPPOSITE OF RIGHT HAND. LEFT HAND BODY CAN BE MADE BY REVERSING TOOLING.  
 3. BLEND ALL RADII  
 4. OUTLINE CONTOUR TO BE TAKEN FROM THIS DRAWING  
 5. THE DRAWING IS FOR REFERENCE ONLY AND DOES NOT GUARANTEE ANY DIMENSION TO MATCH ANY EXISTING MODEL WITH ACCURACY

DWG NO		SH		1	
REVISIONS					
REV	DESCRIPTION	DATE	APPROVED		
A	CHANGED BODY R TO 3.175, NECK PKT TO 15.875, CNTRL CAVITY TO 79.375	30APR2007			
B	DRAWING CONVERTED TO METRIC	15MAY2007			

AUTOCAD DATABASE  
NO MANUAL CHANGES



QTY	ITEM NO	PART OR IDENTIFYING NUMBER	NOMENCLATURE OR DESCRIPTION	PROCUREMENT SPECIFICATION	NOTES
			THE TELECASTER BODY		

REV	STATUS	REV	SH

METRIC

SEQ NO	IDENT	F-SPEC	NO	ADDITIONAL CLASSIFICATION	NOTES	REV STATUS OF SHEETS	REV	SH

UNLESS OTHERWISE SPECIFIED  
 DIMENSIONS ARE IN INCHES  
 TOLERANCES: ANGLES: ± 30'  
 3 PLACE DECIMALS ± 0.010  
 2 PLACE DECIMALS ± 0.02  
 1 PLACE DECIMAL ± 0.05  
 REMOVE ALL BURRS AND SHARP EDGES  
 CONCENTRICITY MACHINED DIAMETERS: ± 0.10 FIM  
 DIMENSIONAL LIMITS APPLY BEFORE PROCESSES  
 PARENTHETICAL INFO FOR REF ONLY

PARTS LIST		DATE	
DRN	T. DOWNS	DATE	27APR2007
ENR			
APFD			
SA	UM		
CONTR			
PLSE			

SCALE 1 : 1

